

Product availability: Stock - Normally stocked in distribution facility



## Main

Range of product	Modicon STB distributed I/O solution
Product or component type	Standard power distribution kit

## Complementary

Kit composition	STBPDT2100 module STBXBA2200 base STBXTS2130, spring type connectors STBXTS1130, screw type connectors
[Us] rated supply voltage	115...230 V
Supply circuit type	AC
Supply frequency	50...60 Hz
Power supply output current	0...10 A 86 °F (30 °C) output circuit) 0...2.5 A 140 °F (60 °C) input circuit) 0...5 A 86 °F (30 °C) input circuit) 0...5 A 140 °F (60 °C) output circuit)
Voltage range	85...265 V AC sensor/actuator bus
Hot swapping fallback	Hot swapping illegal
Protection type	Built-in overcurrent protection, 10 A time-lag output circuit Built-in overcurrent protection, 5 A time-lag input circuit
Permissible current	30 A for 2 minutes grounding terminal
Voltage detection threshold	< 50 V +/-5 AC IN/OUT LED non lit > 70 V +/-5 AC IN/OUT LED lit
Product compatibility	Mounting base STBXBA2200
Marking	CE
Overvoltage category	II
Status LED	Actuator bus power supply (OUT) 1 LED Green) Sensor bus power supply (IN) 1 LED Green)
Depth	2.56 In (65.1 mm)
Height	0.72 In (18.4 mm)
Width	4.92 In (125 mm)
Net Weight	0.28 Lb(US) (0.129 kg)

## Environment

Product certifications	CSA FM Class 1 Division 2 UL
Pollution degree	2 IEC 60664-1
Operating altitude	<= 6561.68 ft (2000 m)
IP degree of protection	IP20 conforming to EN 61131-2 class 1
Ambient air temperature for operation	32...140 °F (0...60 °C) without
Ambient air temperature for storage	-40...185 °F (-40...85 °C)
Relative humidity	95 % 140 °F (60 °C) without condensation
Vibration resistance	+/-0.35 mm 10...58 Hz 3 gn 58...150 Hz 35 x 7.5 mm symmetrical DIN rail 5 gn 58...150 Hz 35 x 15 mm symmetrical DIN rail
Shock resistance	30 gn 11 ms IEC 88 reference 2-27

## Ordering and shipping details

Category	18215 - ADVANTYS STB I/O
Discount Schedule	PC32
GTIN	03595863949186
Nbr. of units in pkg.	1
Package weight(Lbs)	5.15 Oz (146 g)
Returnability	Yes
Country of origin	ID

## Packing Units

Unit Type of Package 1	PCE
Package 1 Height	1.06 In (2.7 cm)
Package 1 width	3.39 In (8.6 cm)
Package 1 Length	5.51 In (14 cm)

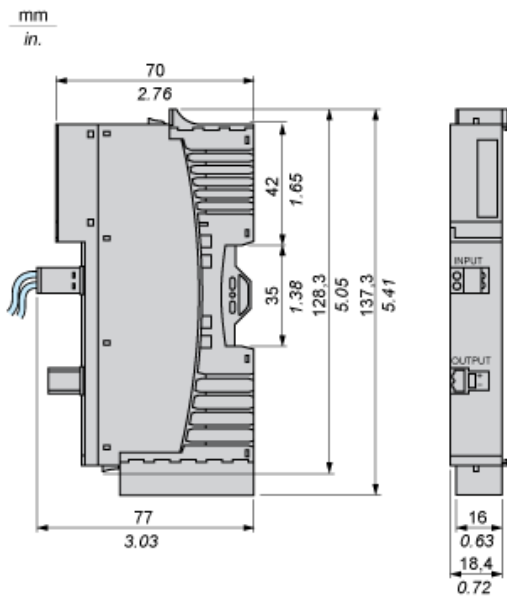
## Offer Sustainability

Sustainable offer status	Green Premium product
California proposition 65	WARNING: This product can expose you to chemicals including: Lead and lead compounds, which is known to the State of California to cause cancer and birth defects or other reproductive harm. For more information go to <a href="http://www.P65Warnings.ca.gov">www.P65Warnings.ca.gov</a>
REACH Regulation	<a href="#">REACH Declaration</a>
EU RoHS Directive	Pro-active compliance (Product out of EU RoHS legal scope) <a href="#">EU RoHS Declaration</a>
Mercury free	Yes
RoHS exemption information	<a href="#">Yes</a>
China RoHS Regulation	<a href="#">China RoHS Declaration</a>
Environmental Disclosure	<a href="#">Product Environmental Profile</a>
Circularity Profile	<a href="#">End Of Life Information</a>
WEEE	The product must be disposed on European Union markets following specific waste collection and never end up in rubbish bins.

## Contractual warranty

Warranty	18 months
----------	-----------

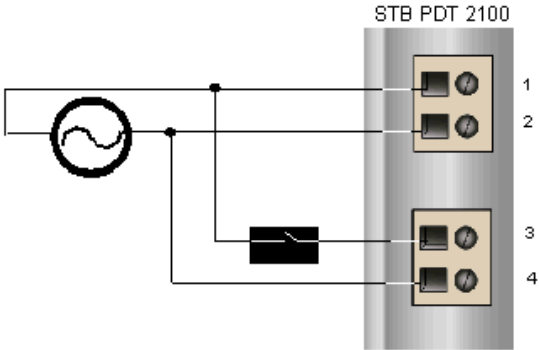
## Dimensions



Wiring Diagram

Example

Single power supply



Pin	Top Connector	Bottom Connector
1	+115/230 VAC for the sensor bus	+115/230 VAC for the actuator bus
2	-115/230 VAC sensor power return	-115/230 VAC actuator power return

Product Life Status : **Commercialised**